
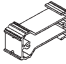
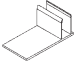

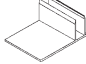
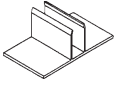




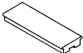





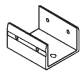


Kawneer 1600 WALL ACCESSORIES

ALL OF THESE ACCESSORIES ARE STOCKED

						
PART NO.	162-377	162-378	162-308	162-309	162-311	162-312
DESCRIPTION	SHEAR BLOCK 6" SYSTEM	SHEAR BLOCK 7-1/2" SYSTEM	"F" ANCHOR 6" SYSTEM	"T" ANCHOR 6" SYSTEM	"F" ANCHOR 7-1/2" SYSTEM	"T" ANCHOR 7-1/2" SYSTEM PRESSURE PLATE VERTICALS
PIECES/PKG.	1	1	1	1	1	1
USED WITH	BOTH SYSTEMS	BOTH SYSTEMS	PRESSURE PLATE VERTICALS	PRESSURE PLATE VERTICALS	PRESSURE PLATE VERTICALS	BOTH SYSTEMS

						
PART NO.	162-321	128-406	128-394	128-405	27-853	162-385
DESCRIPTION	JOINT PLUG 1" FRAMING	PRESSURE PLATE TO MULLION	SHEAR BLOCK TO MULLION	HORIZONTAL TO SHEAR BLOCK	1" INFILL SETTING BLOCK	HEAD/SILL SHEAR BLOCK 7-1/2" SYSTEM
PIECES/PKG.	4	100	100	100	1	1
USED WITH	BOTH SYSTEMS	BOTH SYSTEMS	BOTH SYSTEMS	BOTH SYSTEMS	BOTH SYSTEMS	BOTH SYSTEMS

					
PART NO.	27-850	27-857	162-310	162-399	162-405
DESCRIPTION	TYPICAL FIXED GASKET	FIXED GASKET AT PERIMETERS	THERMAL BREAK	TORQUE LIMIT TOOL	90° CORNER SHEAR BLOCK
PIECES/PKG.	1	250'	250'	250'	1
USED WITH	BOTH SYSTEMS	BOTH SYSTEMS	BOTH SYSTEMS	BOTH SYSTEMS	BOTH SYSTEMS

FOR OTHER ACCESSORIES CONTACT ROMCO

SINCE 1937

Romco Sales Co.

SUBJECT TO CHANGE WITHOUT NOTICE

TEL 718-583-7100 ♦ 416 EAST 174th STREET, BRONX, NEW YORK 10457 ♦ FAX 718-731-1152