












Kawneer REPLACEMENT SLIDER HARDWARE


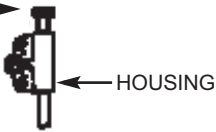





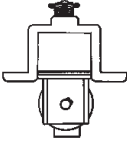


✓ = STOCKED

PAGE E-3

KAWNEER 1010 SLIDER PARTS

| | | | |
|--|--|---|--|
| TANDEM CASTER  | FLUSH PULL  | MS-1850A HOOKBOLT LOCK (LESS CYLINDER)  | EXTRUDED PULL  |
| STEEL | EXTERIOR | | |
| 912-143 ✓ | 912-256-290 | 35-160 | 911-678 |
| STAINLESS | INTERIOR | 170 CLEAR ✓ | 170 CLEAR |
| 912-145 | 912-257-290 | 400 BRONZE ✓ | 400 BRONZE |
| EDGE PULL  | TOP TRACK 24'  | TRACK ADAPTER  | BOTTOM TRACK  |
| | 925-431 | | |
| | 170 CLEAR | 925-429 MILL ✓ | |
| | 400 BRONZE | CLEAR | 925-428 MILL ✓ |
| 912-836 | TOP TRACK 24'  | ST/ST TRACK INSERT 24'  | BOTTOM TRACK  |
| 170 CLEAR | 925-432 | | |
| 400 BRONZE | 400 BRONZE | 925-393 ✓ | 925-427 170 CLEAR MILL ✓ |

KAWNEER 1040 & 1070 SLIDER PARTS

| | | | |
|--|--|---|--|
| OUT BOARD HEAD GUIDE  PIN → HOUSING | INBOARD HEAD GUIDE  PIN → HOUSING | HEAD TRACK 21' S/L  | FLUSH PULL  |
| | | 91-402 | |
| | | 170 CLEAR | |
| | | 400 BRONZE ✓ | |
| PIN 91-320 ✓ | PIN 91-319 ✓ | FLOOR TRACK 21' S/L  | EDGE PULL  |
| | | 91-401 FILE 91-400 | 91-180 |
| | | ADAPTER 91-401 MILL ✓ | 170 CLEAR |
| | | TRACK 91-400 MILL ✓ | 400 BRONZE |
| HOUSING 91-279 ✓ | HOUSING 91-280 ✓ | | |
| RECESSED CASTER  | INBOARD CASTER  | OUTBOARD CASTER PRE 1972 FOR 1040  | INBOARD CASTER PRE 1972 FOR 1040  |
| 92-101 (PRE 1972) DISCONTINUED | 92-100 (PRE 1972) DISCONTINUED | 91-258 (PRE 72) DISCONTINUED | 91-257 (PRE 72) DISCONTINUED |
| 92-172 ✓ | 92-171 ✓ | 91-281 ✓ | 91-282 ✓ |

NOT ALL ITEMS STOCKED
NON-STOCK ORDERS SUBJECT TO INBOUND UPS OR FREIGHT CHARGES

SINCE 1937

Romco Sales Co.

SUBJECT TO CHANGE WITHOUT NOTICE

TEL 718-583-7100 ♦ 416 EAST 174th STREET, BRONX, NEW YORK 10457 ♦ FAX 718-731-1152